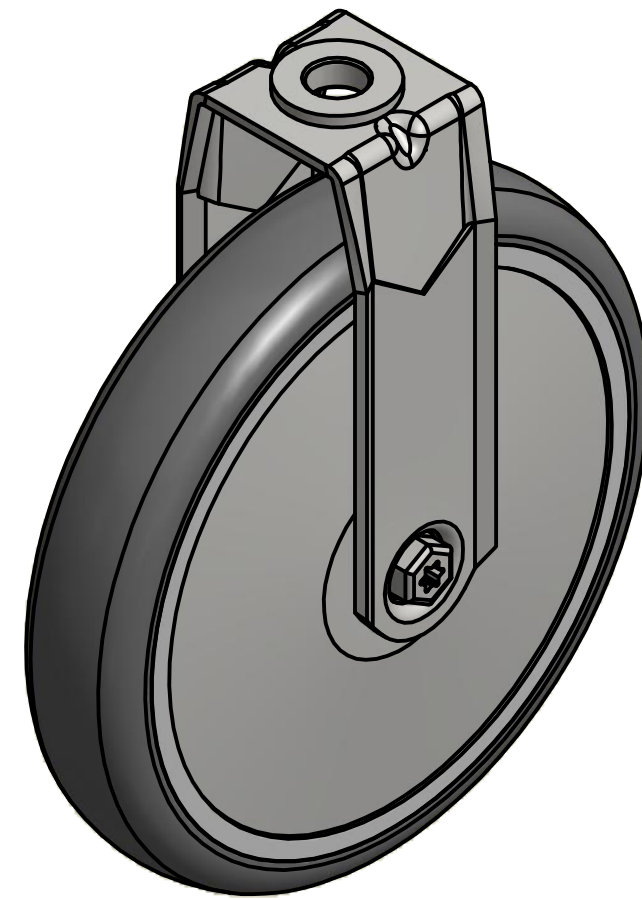
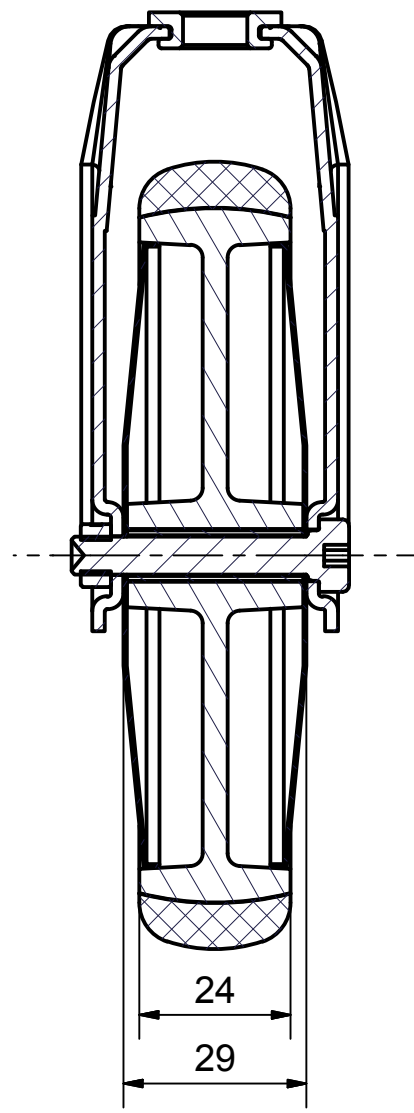
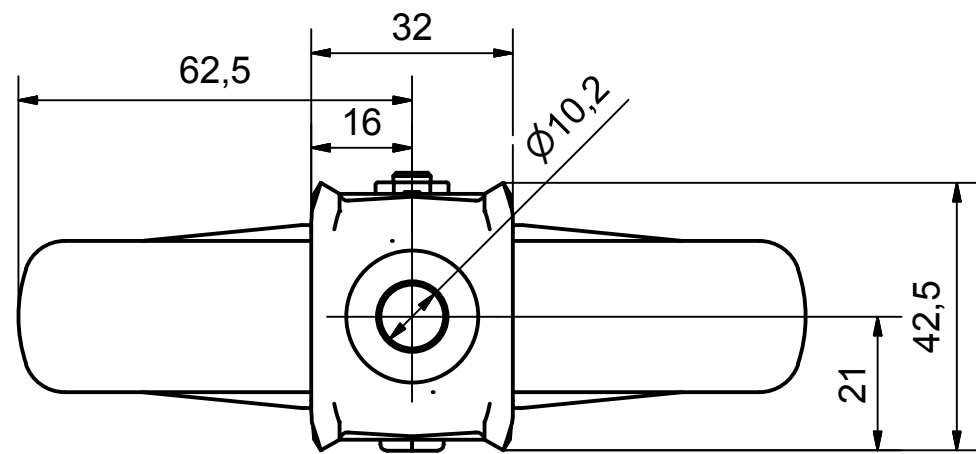



SECTION A-A'



Load Capacity: 80kg, for speed up to 4km/h  
(According to EN 12530)



	PRODUCTION OF INSTITUTIONAL CASTORS AND WHEELS THESSALONIKI - GREECE		PERMIS. VARIATIONS:	PART No:
	This drawing is the property of RODA S.A. It must neither be reproduced in any manner nor shall it be submitted to third parties or competitors without our written consent		SURFACE FINISH :	UNF . DIM.:
DESIGNED 12/7/2013 E.POLIMEROPOULOU DRAWN 12/7/2013 E.POLIMEROPOULOU CHECKED 12/7/2013 H.SAATSOGLOU	QUANTITY REPLACE :	SCALE	PART NAME : <b>M.125.TPA.HFG</b>	
C3 B2 A1 A/A	DRAWING NUMBER :	SHEET No.	PART DESCRIPTION : <b>Fixed castor, steel support, bolt hole fitting (10,2mm).Wheel 125x24mm,non marking grey rubber (82shA) plain bearing,steel thre</b>	
GEN. DWG. NUM. :			SHEET No.	