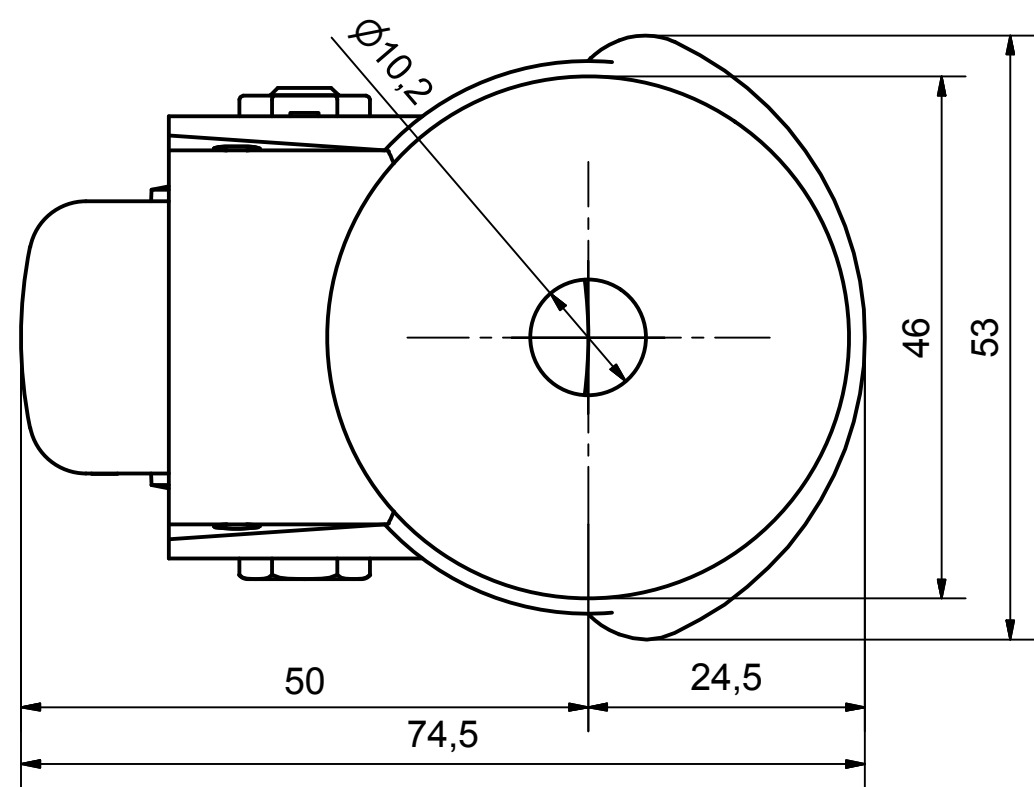



**Load Capacity: 50kg, for speed up to 4km/h
(According to EN 12530)**



 PRODUCTION OF INSTITUTIONAL CASTORS AND WHEELS THESSALONIKI - GREECE This drawing is the property of RODA S.A. It must neither be reproduced in any manner nor shall it be submitted to third parties or competitors without our written consent	PERMIS. VARIATIONS:		PART No:	
	SURFACE FINISH:		UNF . DIM.:	
DESIGNED 26/6/2013 E.POLIMEROPOULOU DRAWN 26/6/2013 E.POLIMEROPOULOU CHECKED 26/6/2013 H.SAATZOGLOU			PART NAME : MX.050.CPC.HS	
This drawing is the property of RODA S.A. It must neither be reproduced in any manner nor shall it be submitted to third parties or competitors without our written consent			PART DESCRIPTION : Swivel castor, stainless support, bolt hole fitting (10,2mm).Wheel 50x24mm,electric conductive non marking grey rubber (82shA)	
C3			QUANTITY	SCALE
B2			REPLACE :	DRAWING NUMBER :
A1				SHEET No.
A/A				GEN. DWG. NUM. :