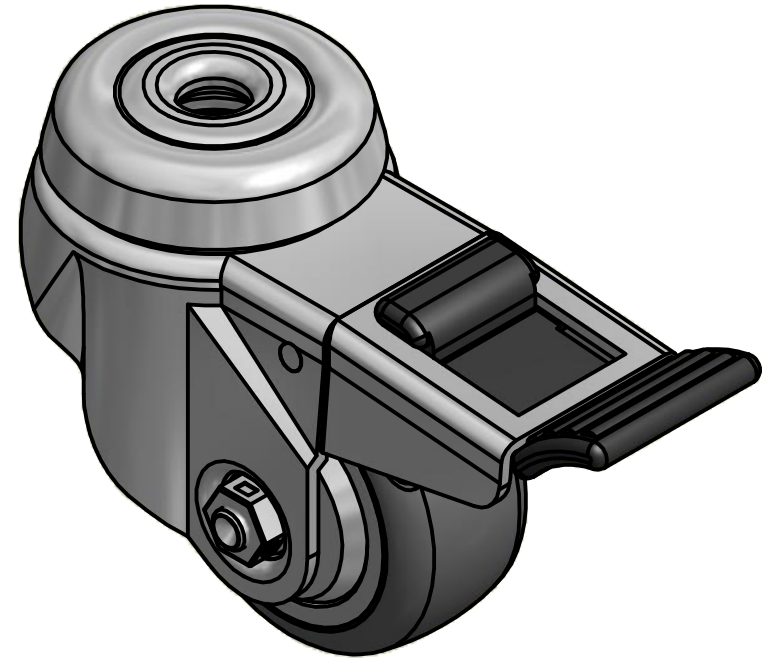
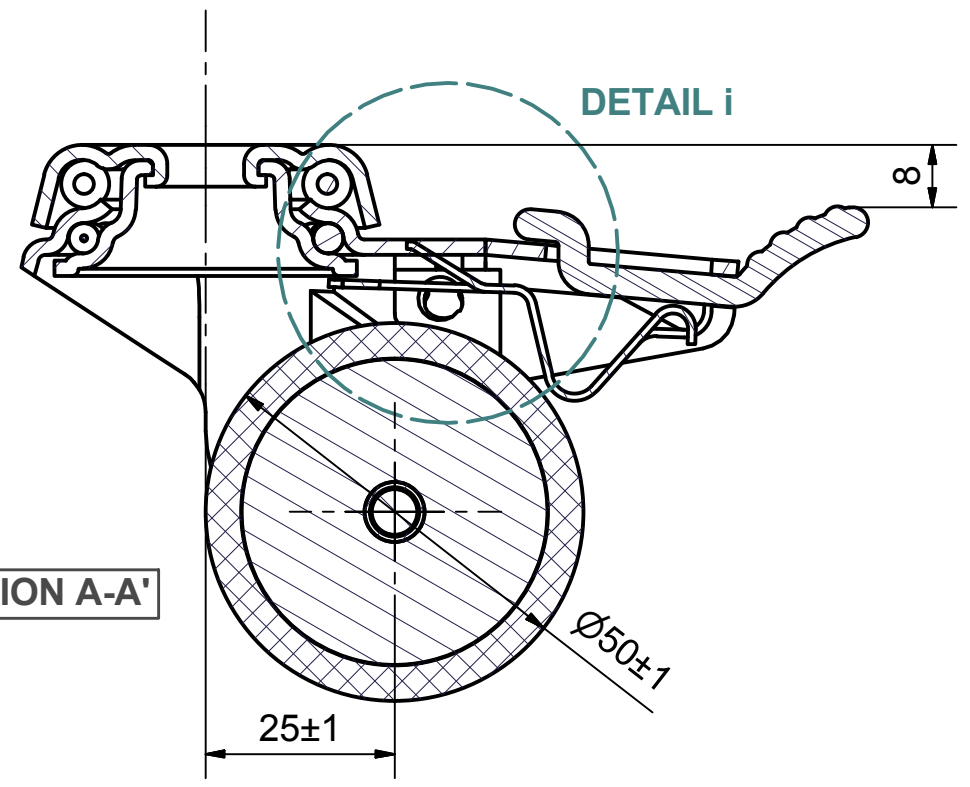
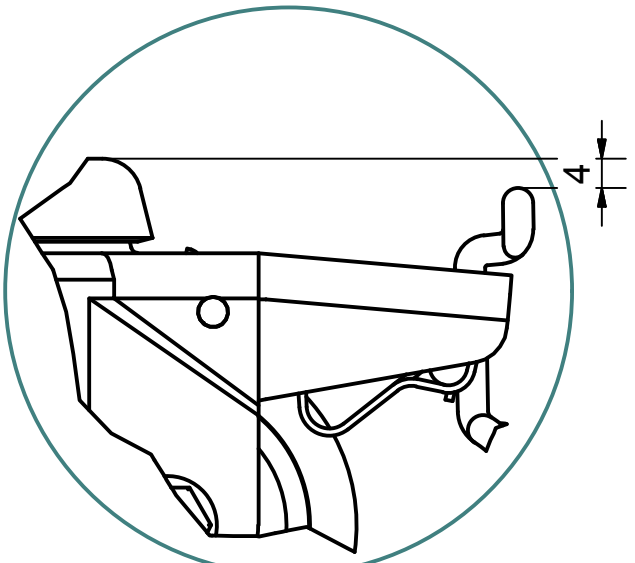
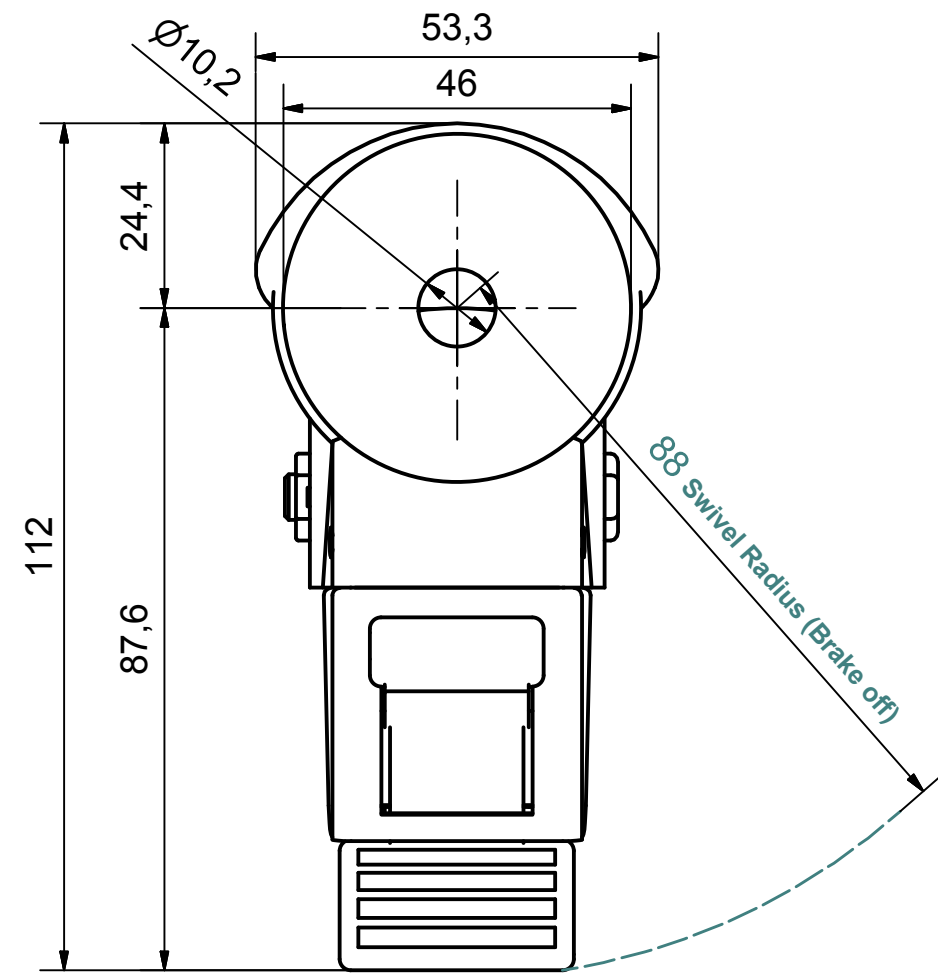



SECTION A-A'



Load Capacity: 50kg, for speed up to 4km/h
(According to EN 12530)°



DETAIL i (Brake on)

 PRODUCTION OF INSTITUTIONAL CASTORS AND WHEELS THESSALONIKI - GREECE	PERMIS. VARIATIONS:		PART No:	
	SURFACE FINISH :		UNF . DIM.:	
This drawing is the property of RODA S.A. It must neither be reproduced in any manner nor shall it be submitted to third parties or competitors without our written consent	DESIGNED	27/6/2013	E.POLIMEROPOULOU	PART NAME : MX.050.TPA.HSBKGX PART DESCRIPTION : Swivel+brake castor, stainless support, bolt hole fitting (10,2mm).Wheel 50x24mm,non marking grey rubber (82shA) plain bearing.
	DRAWN	27/6/2013	E.POLIMEROPOULOU	
	CHECKED	27/6/2013	H.SAATZOGLOU	
C3				DRAWING NUMBER :
B2				
A1				QUANTITY SCALE REPLACE :
A/A				