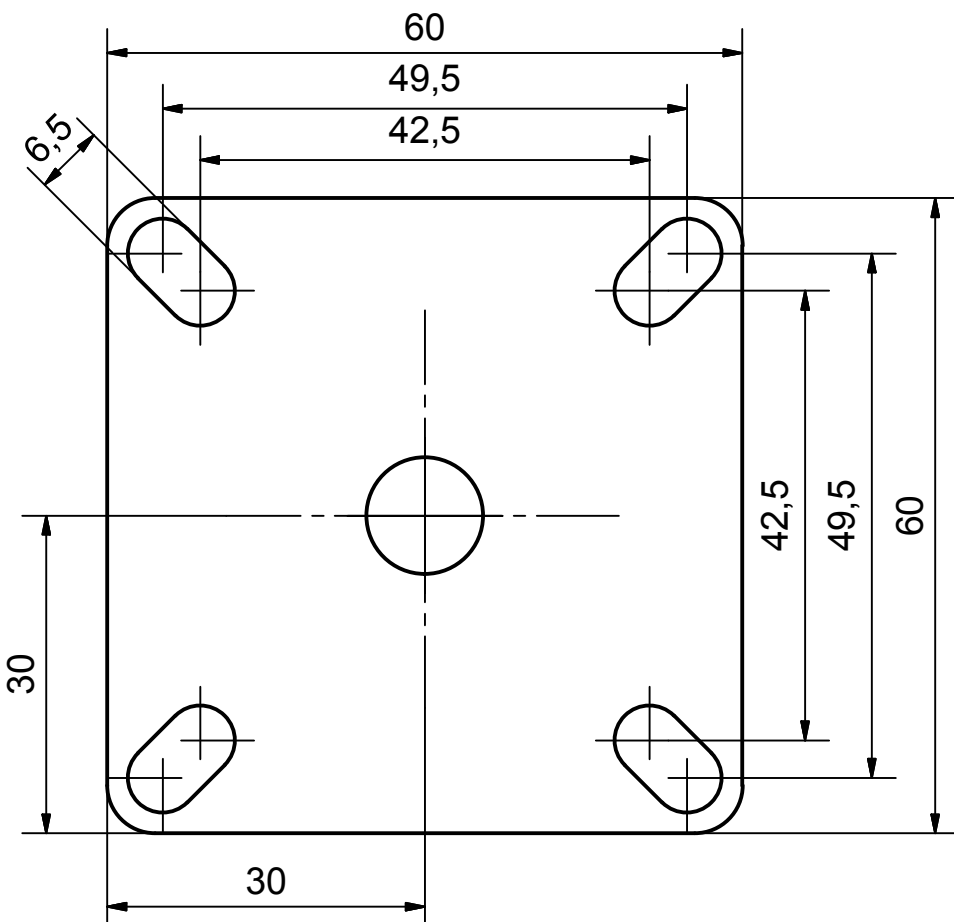



**Load Capacity: 50kg, for speed up to 4km/h  
(According to EN 12530)**



 <b>PRODUCTION OF INSTITUTIONAL CASTORS AND WHEELS</b> <b>THESSALONIKI - GREECE</b>	PERMIS. VARIATIONS:		PART No:	
	SURFACE FINISH :		UNF . DIM.:	
This drawing is the property of RODA S.A. It must neither be reproduced in any manner nor shall it be submitted to third parties or competitors without our written consent	DESIGNED 21/6/2013 E.POLIMEROPOULOU	PART NAME : <b>MX.050.TPC.TF</b>		
	DRAWN 21/6/2013 E.POLIMEROPOULOU	PART DESCRIPTION : <b>Fixed castor, stainless support, top plate fitting.Wheel 50x24mm,non marking grey rubber (82shA) double ball bearings</b>		
	CHECKED 21/6/2013 H.SAATZOGLOU	DRAWING NUMBER :		
C3 B2 A1 A/A	QUANTITY	SCALE	SHEET No.	
REPLACE :		GEN. DWG. NUM. :		