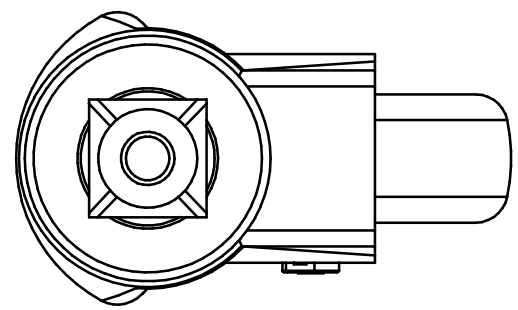
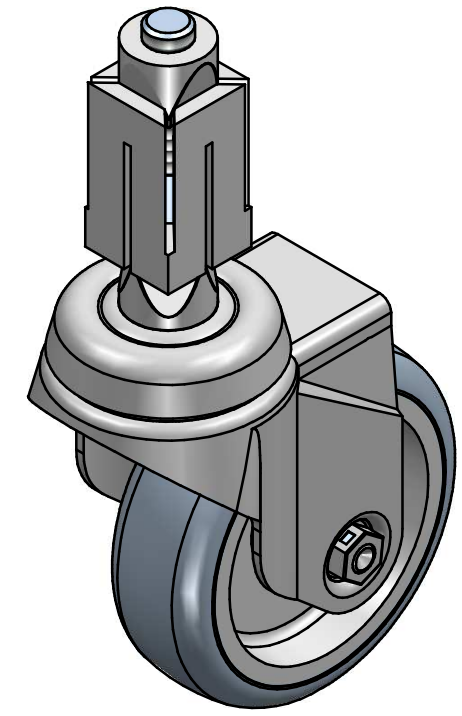
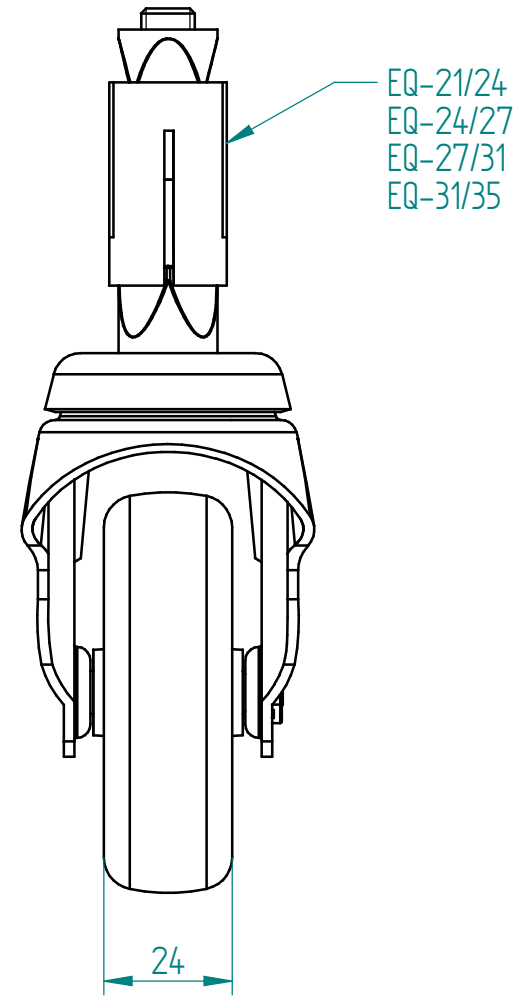
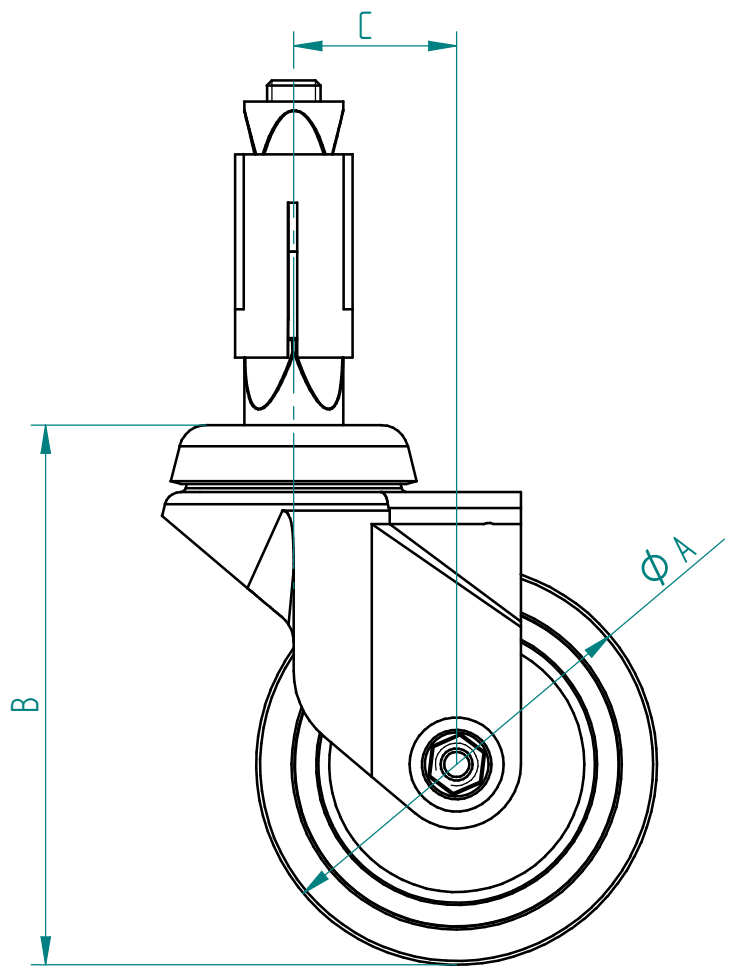



M Series		
A (mm)	B (mm)	C (mm)
50	73,5	25
75	101	30,5
100	123,5	40
125	148,5	43



	PRODUCTION OF INSTITUTIONAL CATRORS AND WHEELS THESSALONIKI - GREECE		PERMIS. VARIATIONS:	PART No.:
	This drawing is the property of RODA S.A. It must neither be reproduced in any manner nor shall it be submitted to third parties or competitors without our written consent		SURFACE FINISH:	UNF. DIM.:
DESIGNED 21/2/2011	DRAWN 21/2/2011	CHECKED 21/2/2011	MATERIAL:	PART DESCRIPTION :
C3 B2 A1 A/A	QUANTITY REPLACE	SCALE	DRAWING GEN. DWG. NUM.:	SHEET No.

M Series
EQS: Expander Square