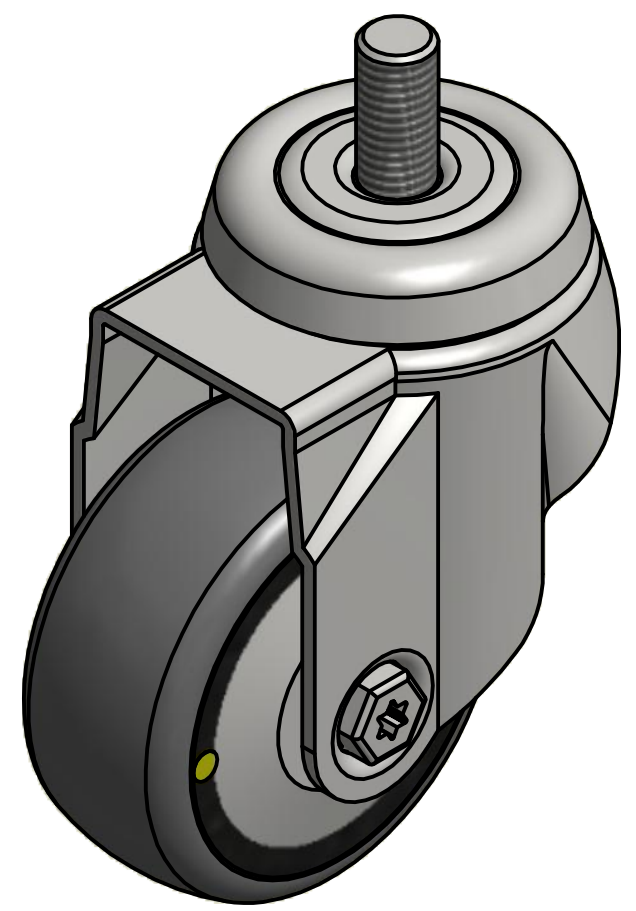
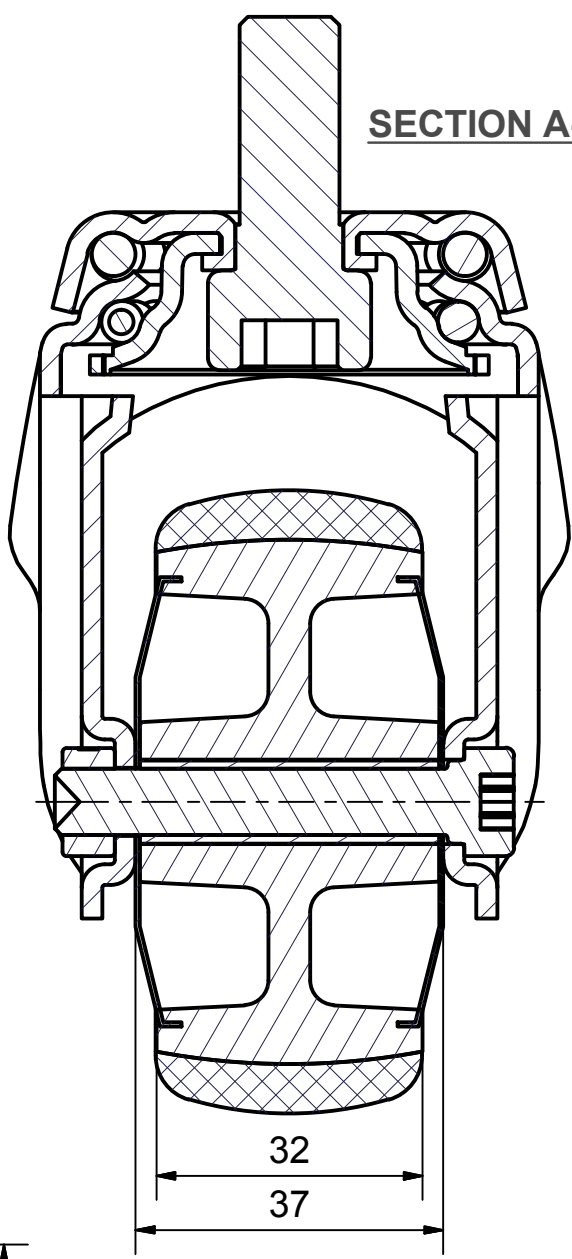
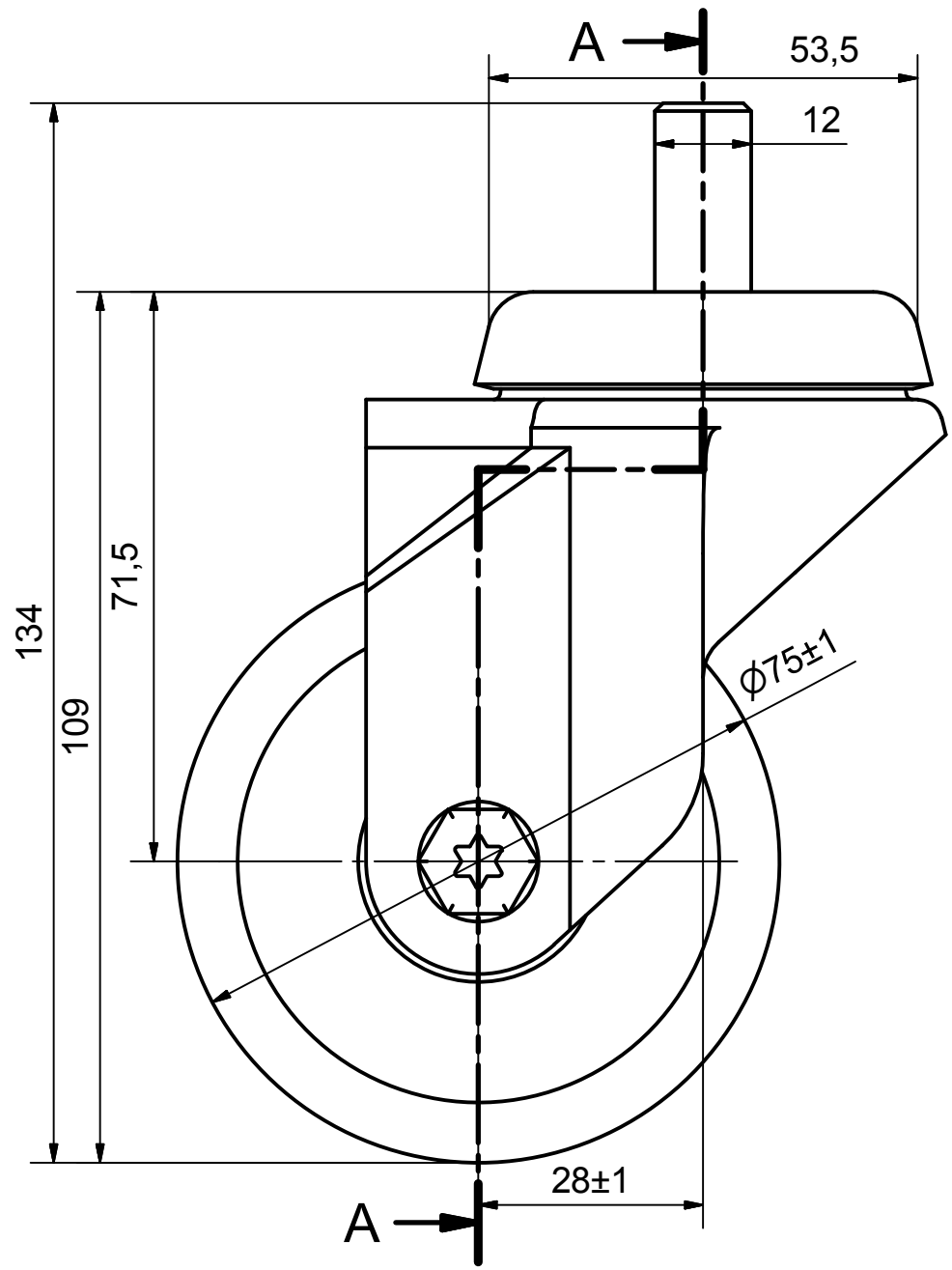


6 | 5 | 4 | 3 | 2 | 1

D

D



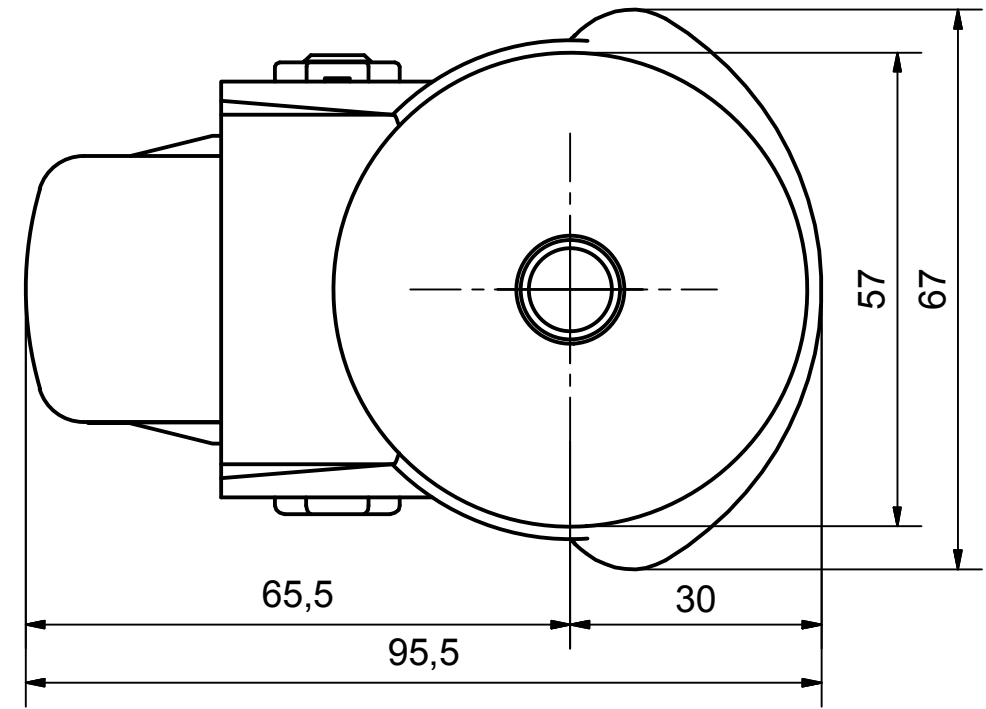
**Load Capacity: 70kg, for speed up to 4km/h  
(According to EN 12530)**

C

C

B


B



A

A

6 | 5 | 4 | 3 | 2 | 1

 PRODUCTION OF INSTITUTIONAL CASTORS AND WHEELS THESSALONIKI - GREECE	PERMIS. VARIATIONS:		PART No:	
	SURFACE FINISH :		UNF . DIM.:	
This drawing is the property of RODA S.A. It must neither be reproduced in any manner nor shall it be submitted to third parties or competitors without our written consent	DESIGNED	18/7/2013	E.POLIMEROPOULOU	PART DESCRIPTION : <b>Swivel castor, steel support, bolt stem M12X25mm.Wheel 75x32mm,electric conductive non marking grey rubber (82shA) plain bearin</b>
	DRAWN	18/7/2013	E.POLIMEROPOULOU	
	CHECKED	18/7/2013	H.SAATSOGLOU	
C3				DRAWING NUMBER :
B2				
A1				QUANTITY      SCALE REPLACE :
A/A				