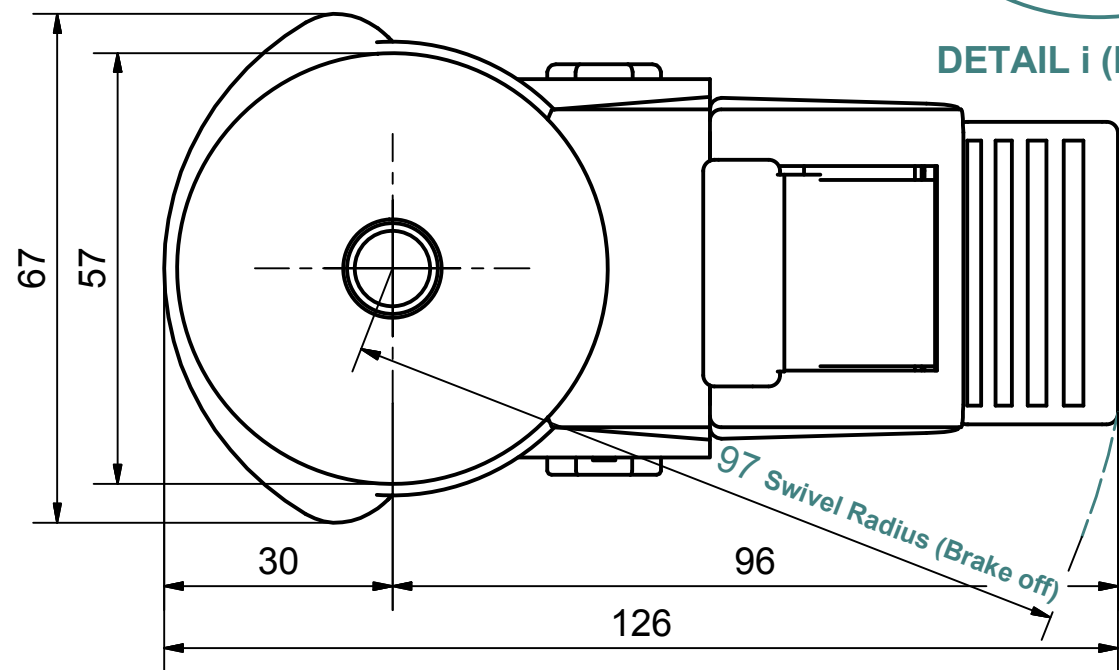
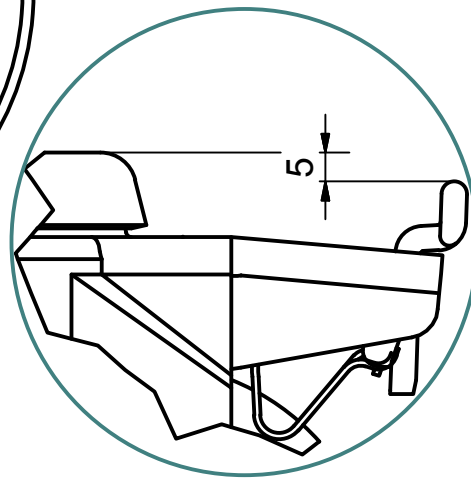



Load Capacity: 70kg, for speed up to 4km/h
(According to EN 12530)



 PRODUCTION OF INSTITUTIONAL CASTORS AND WHEELS THESSALONIKI - GREECE	PERMIS. VARIATIONS:		PART No:	
	SURFACE FINISH:		UNF . DIM.:	
This drawing is the property of RODA S.A. It must neither be reproduced in any manner nor shall it be submitted to third parties or competitors without our written consent	DESIGNED	19/7/2013	E.POLIMEROPOULOU	
	DRAWN	19/7/2013	E.POLIMEROPOULOU	
	CHECKED	19/7/2013	H.SAATSOGLOU	
PART DESCRIPTION : Swivel+brake castor, stainless support, bolt stem M12X25mm.Wheel 75x32mm,black polypropylene plain bearing			PART NAME : SX.075.PA.BSBK	
C3 B2 A1 A/A		QUANTITY REPLACE :	DRAWING NUMBER : GEN. DWG. NUM. :	SHEET No.