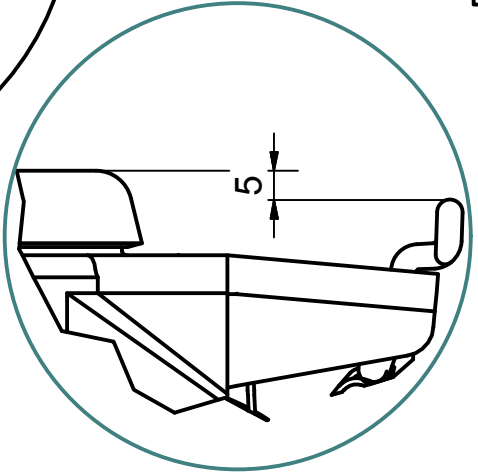



SECTION A-A'



Load Capacity: 70kg, for speed up to 4km/h  
(According to EN 12530)

	PRODUCTION OF INSTITUTIONAL CASTORS AND WHEELS THESSALONIKI - GREECE		PERMIS. VARIATIONS:	PART No:
	This drawing is the property of RODA S.A. It must neither be reproduced in any manner nor shall it be submitted to third parties or competitors without our written consent		SURFACE FINISH :	UNF . DIM.:
DESIGNED 19/7/2013 E.POLIMEROPOULOU DRAWN 19/7/2013 E.POLIMEROPOULOU CHECKED 19/7/2013 H.SAATSOGLOU	30 96 126	97 Swivel Radius (Brake off)	PART NAME : <b>SX.075.TPC.HSBK</b>	PART DESCRIPTION : <b>Swivel+brake castor, stainless support, bolt hole fitting (12,2mm).Wheel 75x32mm,non marking grey rubber (82shA) double ball be</b>
C3 B2 A1 A/A	QUANTITY REPLACE :	SCALE	DRAWING NUMBER :	SHEET No.
			GEN. DWG. NUM. :	