

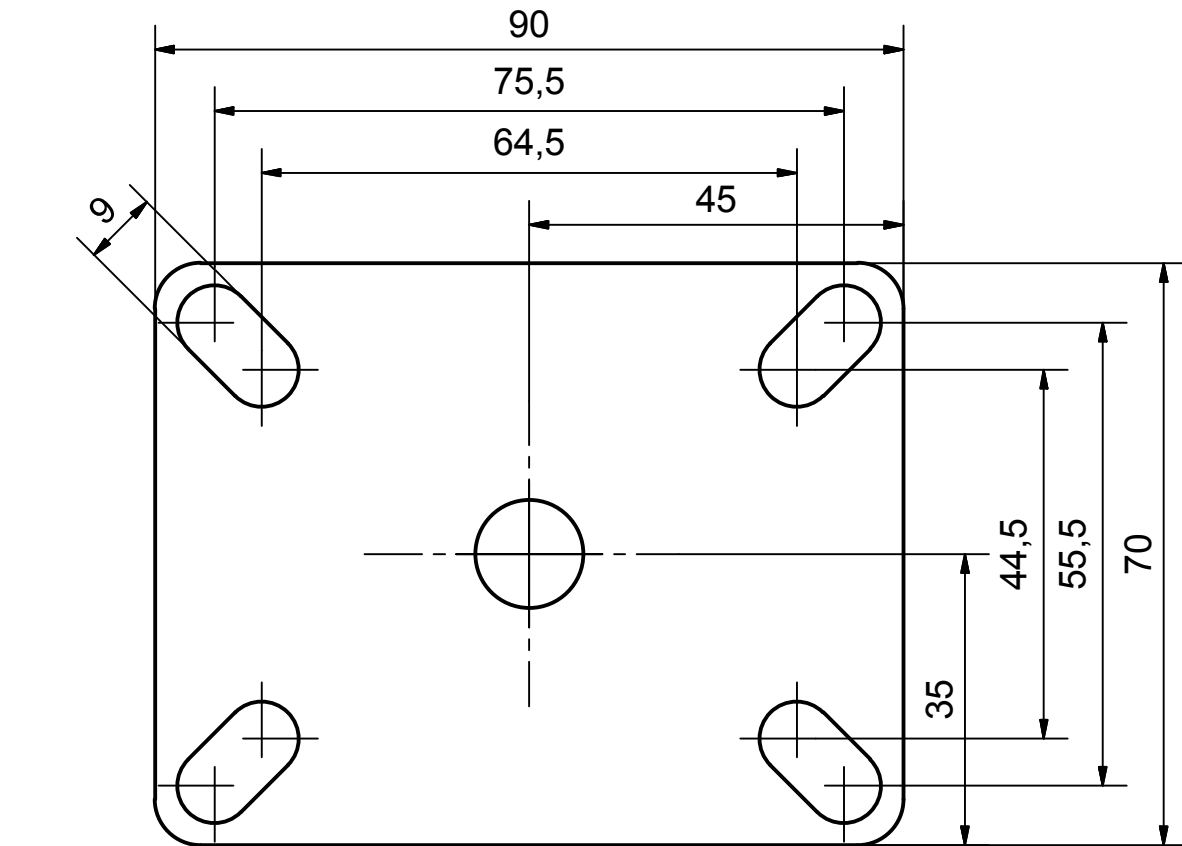
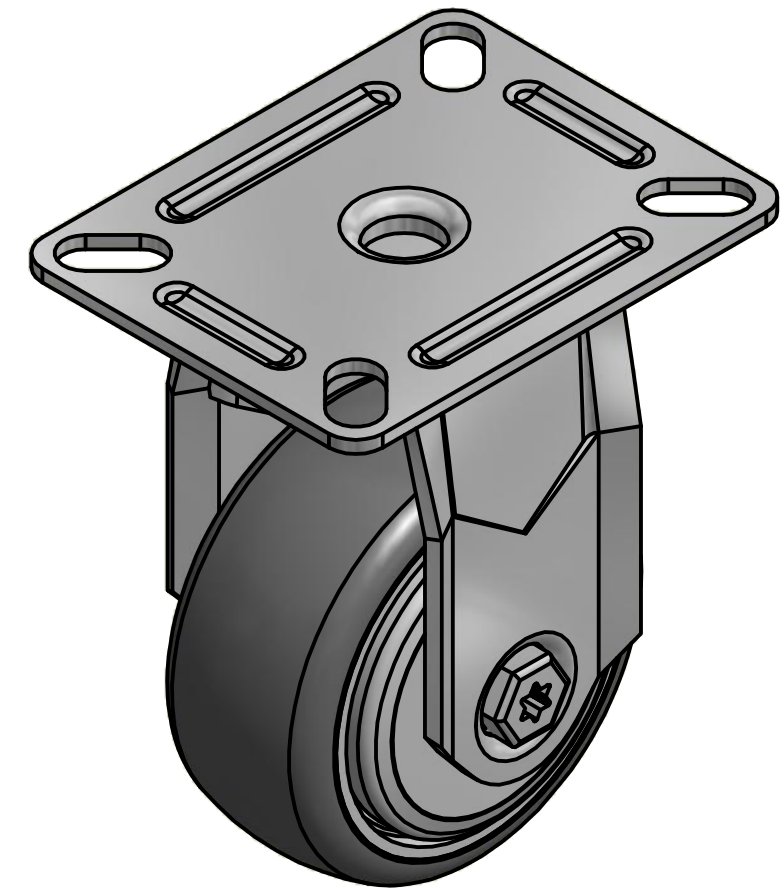
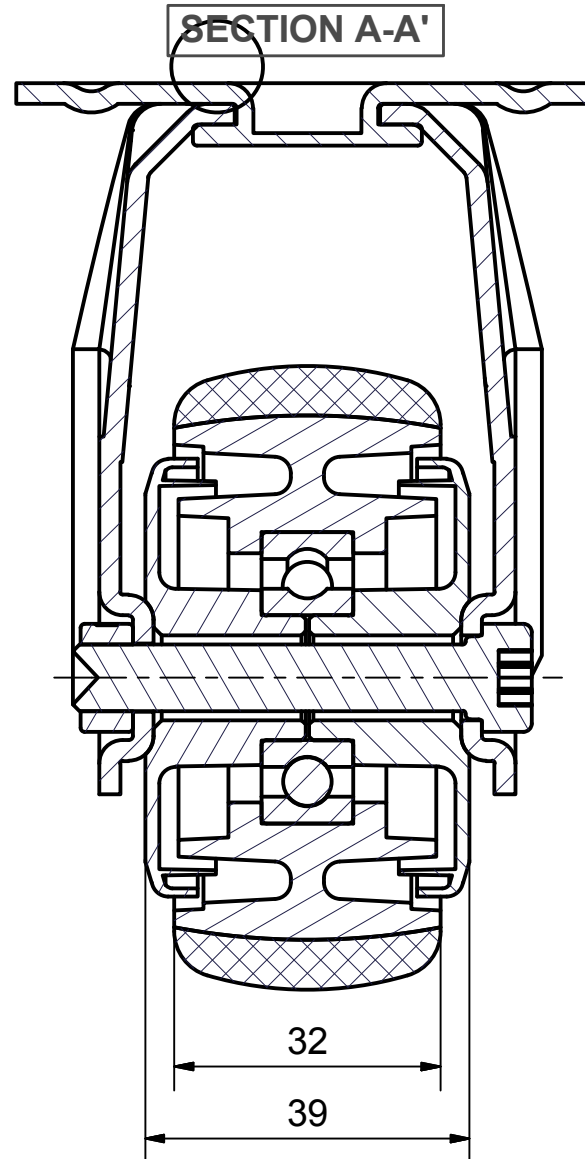
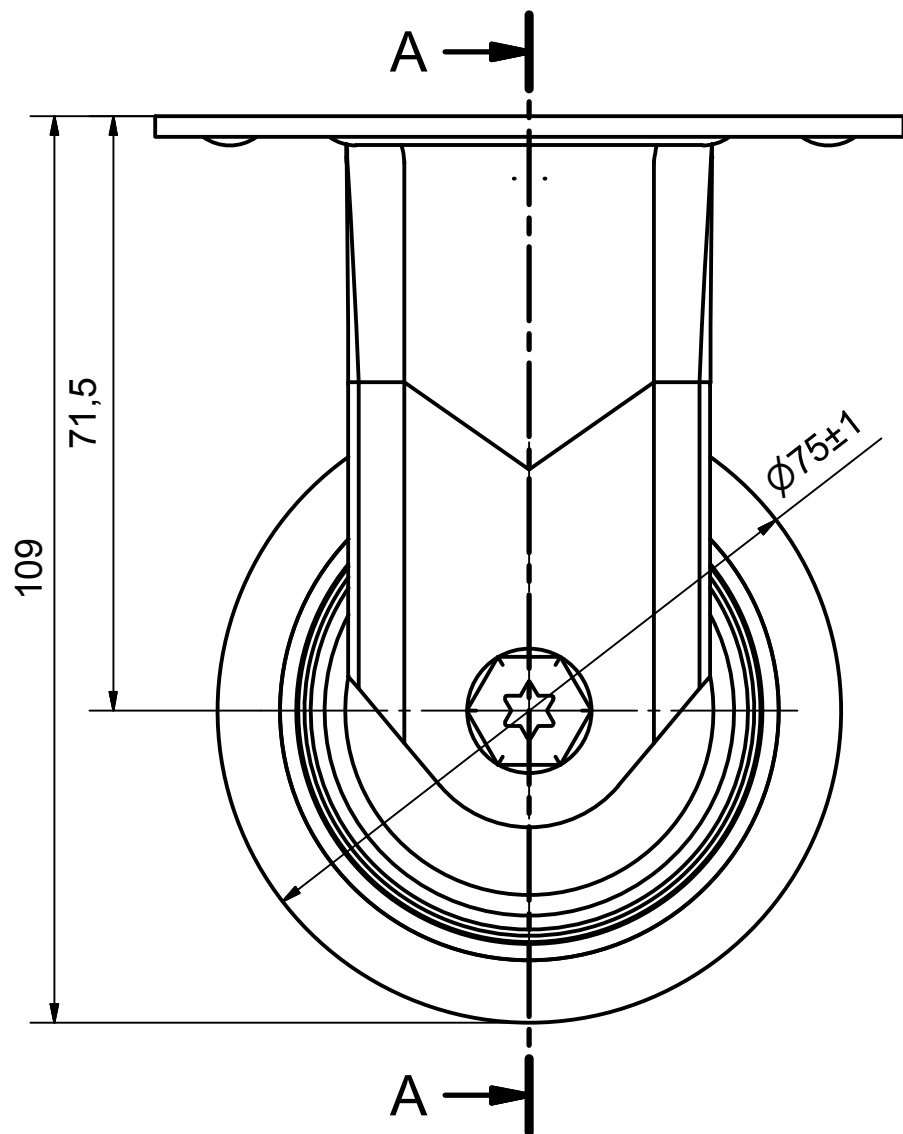
6 5 4 3 2 1

D


C

B

A



**Load Capacity: 70kg, for speed up to 4km/h  
(According to EN 12530)**

 PRODUCTION OF INSTITUTIONAL CASTORS AND WHEELS THESSALONIKI - GREECE	PERMIS. VARIATIONS:		PART No:	
	SURFACE FINISH:		UNF . DIM.:	
This drawing is the property of RODA S.A. It must neither be reproduced in any manner nor shall it be submitted to third parties or competitors without our written consent	DESIGNED 16/7/2013 E.POLIMEROPOULOU	PART NAME : <b>SX.075.TPS.TFGP</b>		
	DRAWN 16/7/2013 E.POLIMEROPOULOU	PART DESCRIPTION : <b>Fixed castor, stainless support, top plate fitting.Wheel 75x32mm,non marking grey rubber (82shA) single precision bearing,plast</b>		
	CHECKED 16/7/2013 H.SAATSOGLOU	DRAWING NUMBER :		
C3 B2 A1 A/A	QUANTITY	SCALE	SHEET No.	
REPLACE :		GEN. DWG. NUM. :		

6 5 4 3 2 1