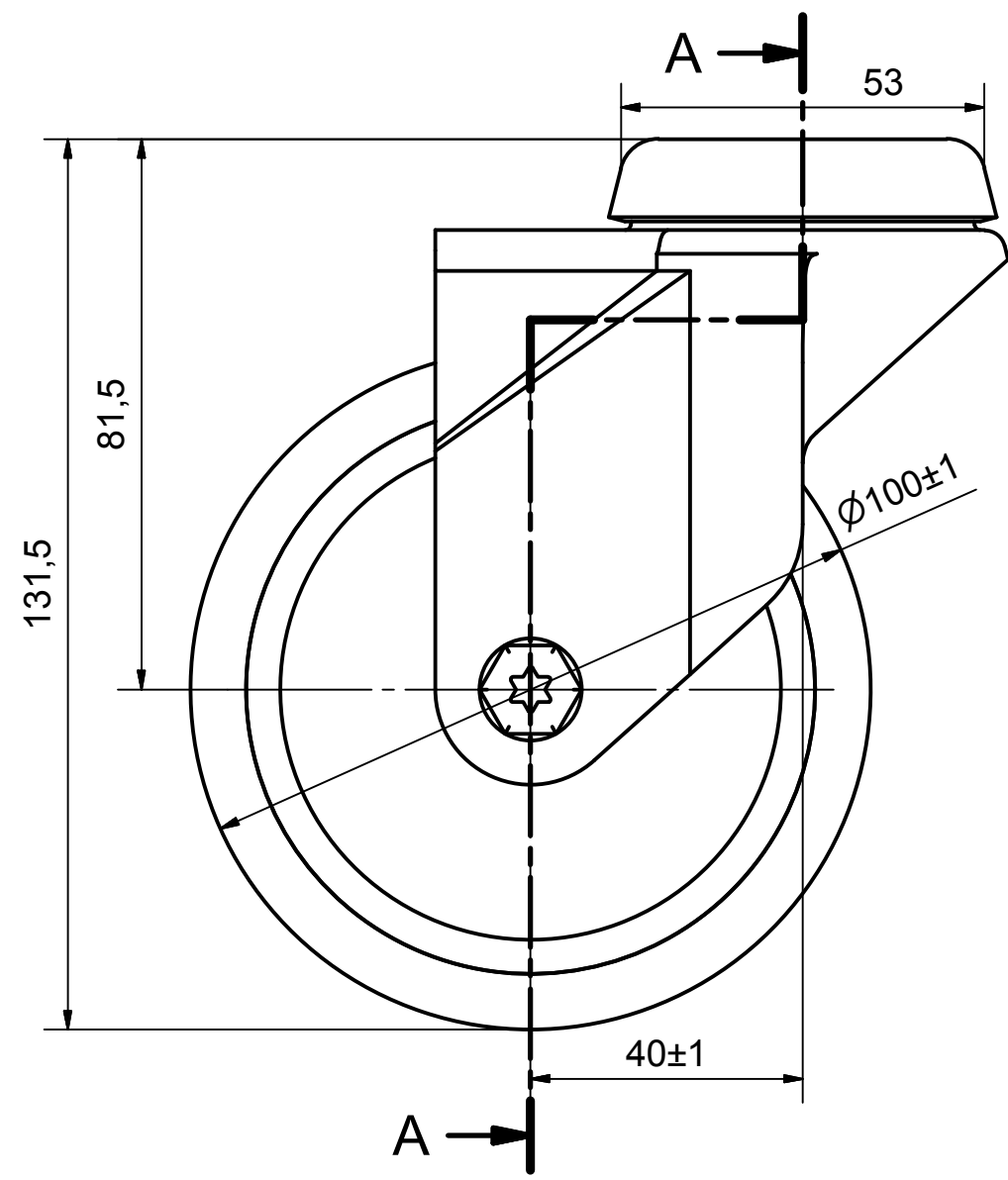
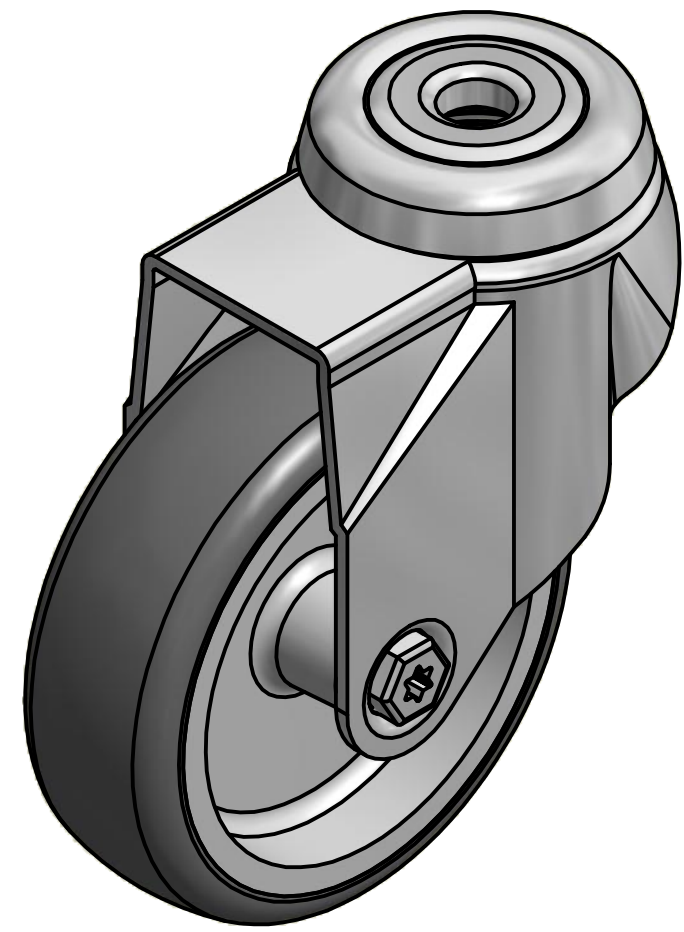
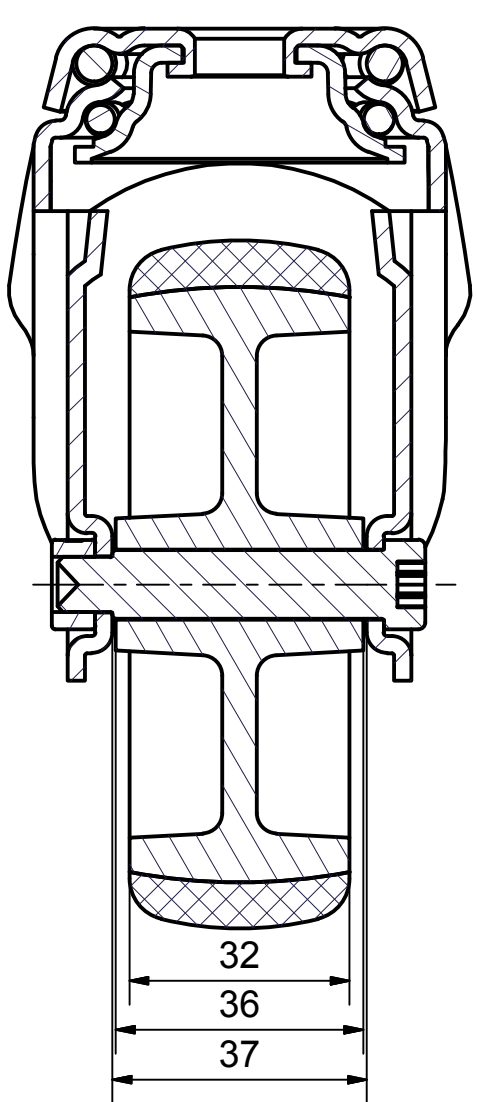


6 5 4 3 2 1

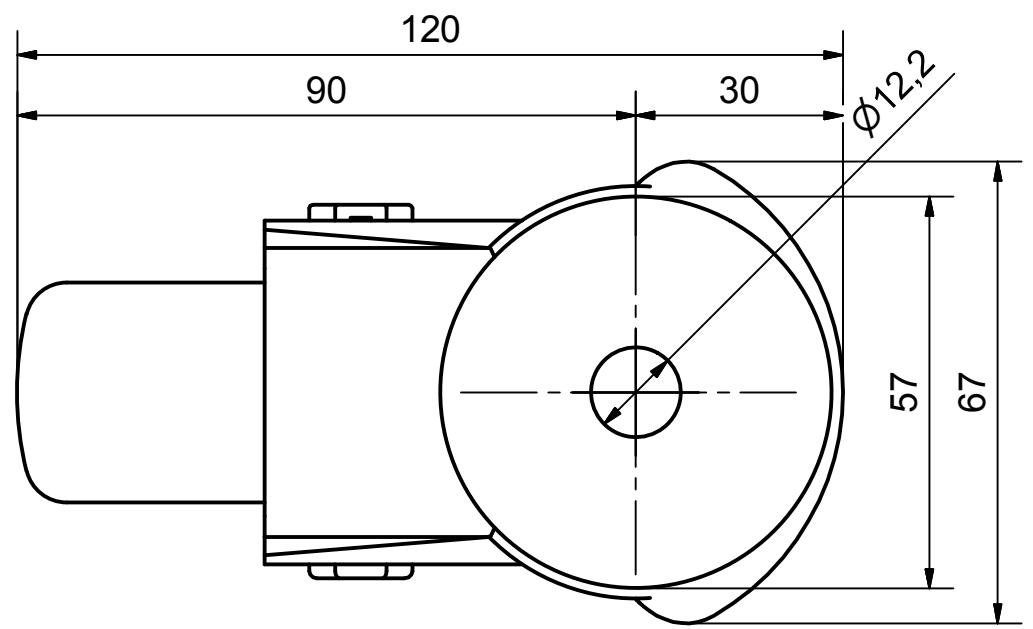
D  
C  
B  
A




SECTION A-A'



Load Capacity: 90kg, for speed up to 4km/h  
(According to EN 12530)



|   |                     |           |                  |   |
|---|---------------------|-----------|------------------|---|
| <br>PRODUCTION OF INSTITUTIONAL CASTORS AND WHEELS<br>THESSALONIKI - GREECE            | PERMIS. VARIATIONS: |           | PART No:         |   |
|   | SURFACE FINISH :    |           | UNF . DIM.:      |   |
| This drawing is the property of RODA S.A. It must neither be reproduced in any manner nor shall it be submitted to third parties or competitors without our written consent | DESIGNED            | 24/7/2013 | E.POLIMEROPOULOU | PART NAME : <b>SX.100.TPA.HS</b><br><br>PART DESCRIPTION : <b>Swivel castor, stainless support, bolt hole fitting (12,2mm).Wheel 100x32mm,non marking grey rubber (82shA) plain bearing</b> |
|   | DRAWN               | 24/7/2013 | E.POLIMEROPOULOU |   |
|   | CHECKED             | 24/7/2013 | H.SAATSOGLOU     |   |
| C3  |                     |           |                  | DRAWING NUMBER :  |
| B2  |                     |           |                  |   |
| A1  |                     |           |                  | QUANTITY      SCALE<br>REPLACE :  |
| A/A   |                     |           |                  |   |

6 5 4 3 2 1