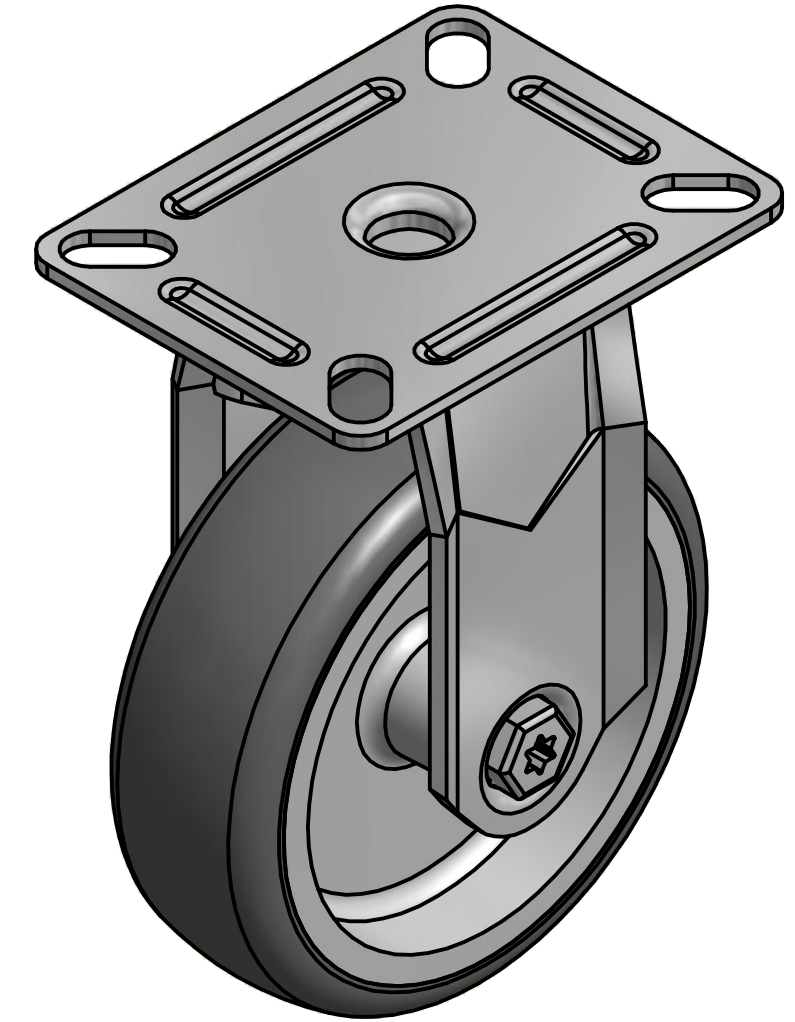
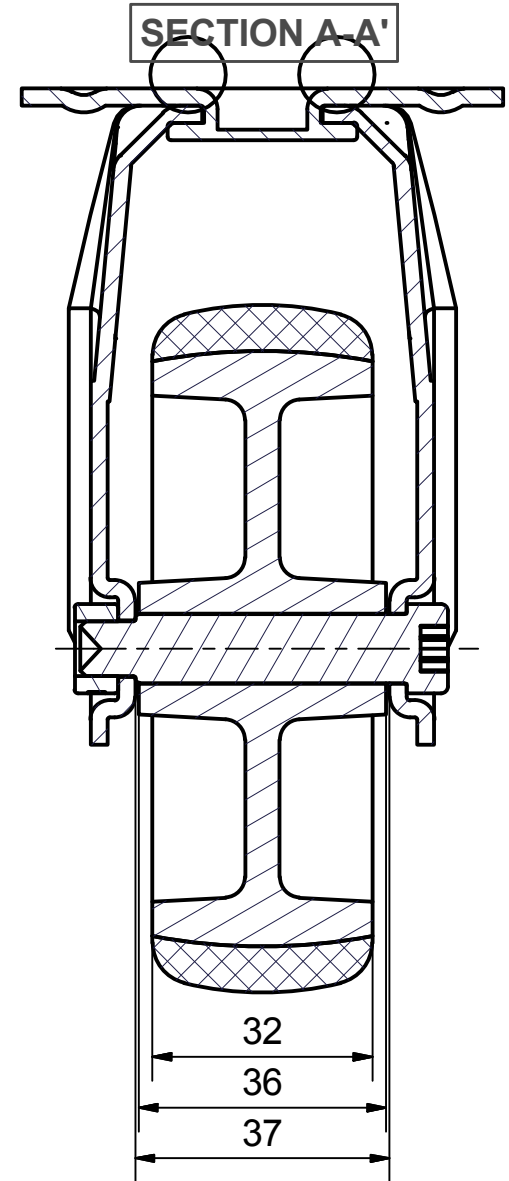
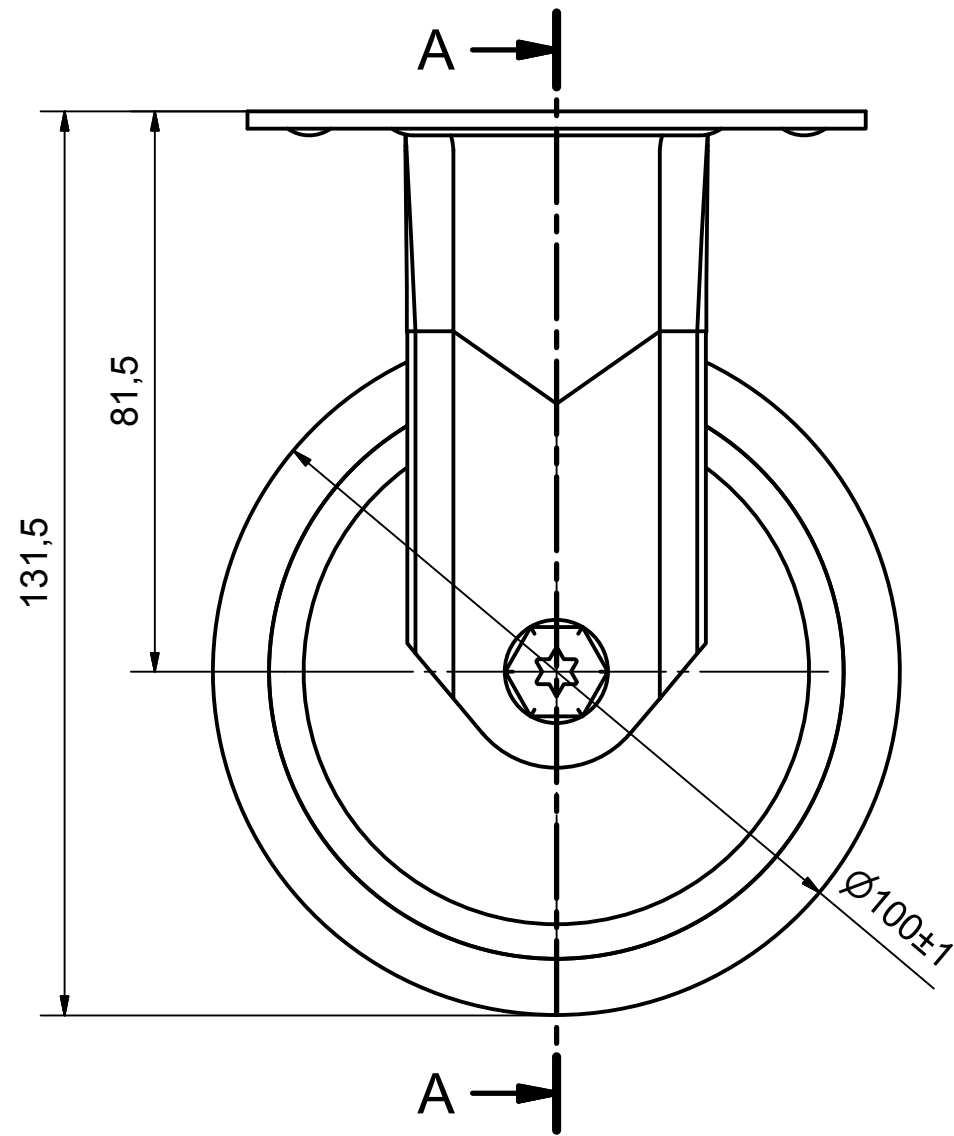
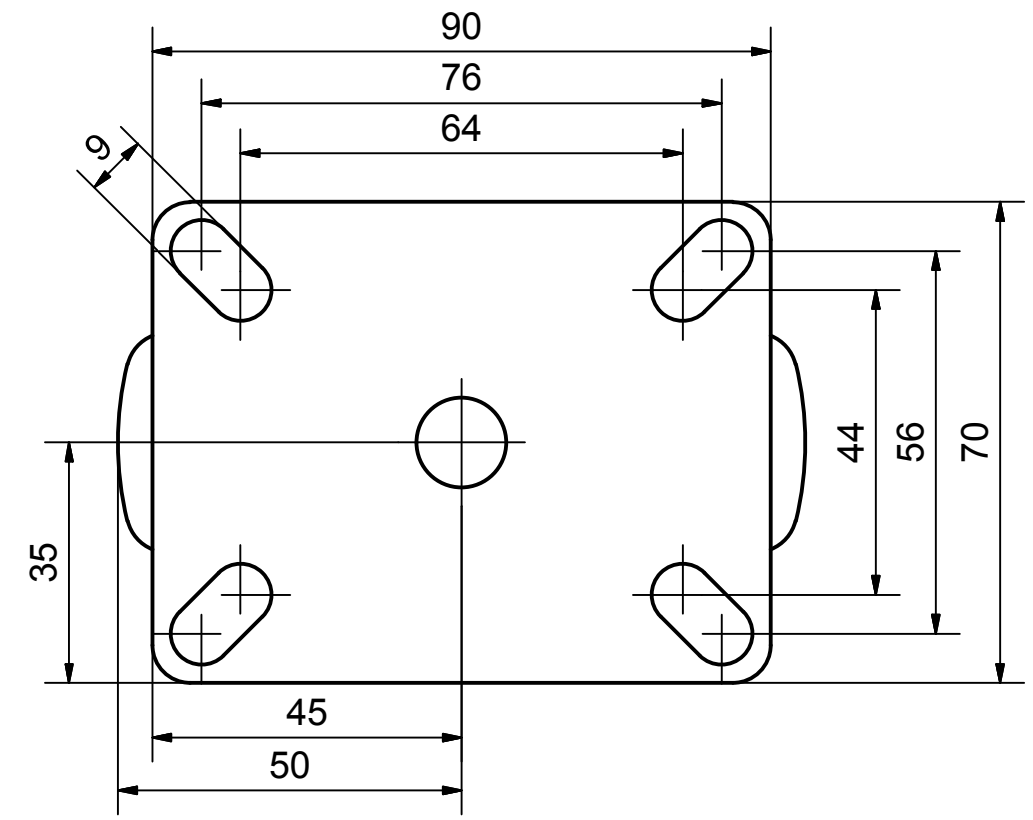



6 5 4 3 2 1

D  
C  
B  
A



**Load Capacity: 90kg, for speed up to 4km/h  
(According to EN 12530)**



 PRODUCTION OF INSTITUTIONAL CASTORS AND WHEELS THESSALONIKI - GREECE	PERMIS. VARIATIONS:		PART No:		
	SURFACE FINISH :		UNF . DIM.:		
This drawing is the property of RODA S.A. It must neither be reproduced in any manner nor shall it be submitted to third parties or competitors without our written consent	DESIGNED	22/7/2013	E.POLIMEROPOULOU	PART NAME : <b>SX.100.TPA.TF</b>  PART DESCRIPTION : <b>Fixed castor, stainless support, top plate fitting.Wheel 100x32mm,non marking grey rubber (82shA) plain bearing</b>	
	DRAWN	22/7/2013	E.POLIMEROPOULOU		
	CHECKED	22/7/2013	H.SAATSOGLOU		
C3				DRAWING NUMBER :	
B2					SHEET No.
A1				QUANTITY	SCALE
A/A				REPLACE :	GEN. DWG. NUM. :

6 5 4 3 2 1