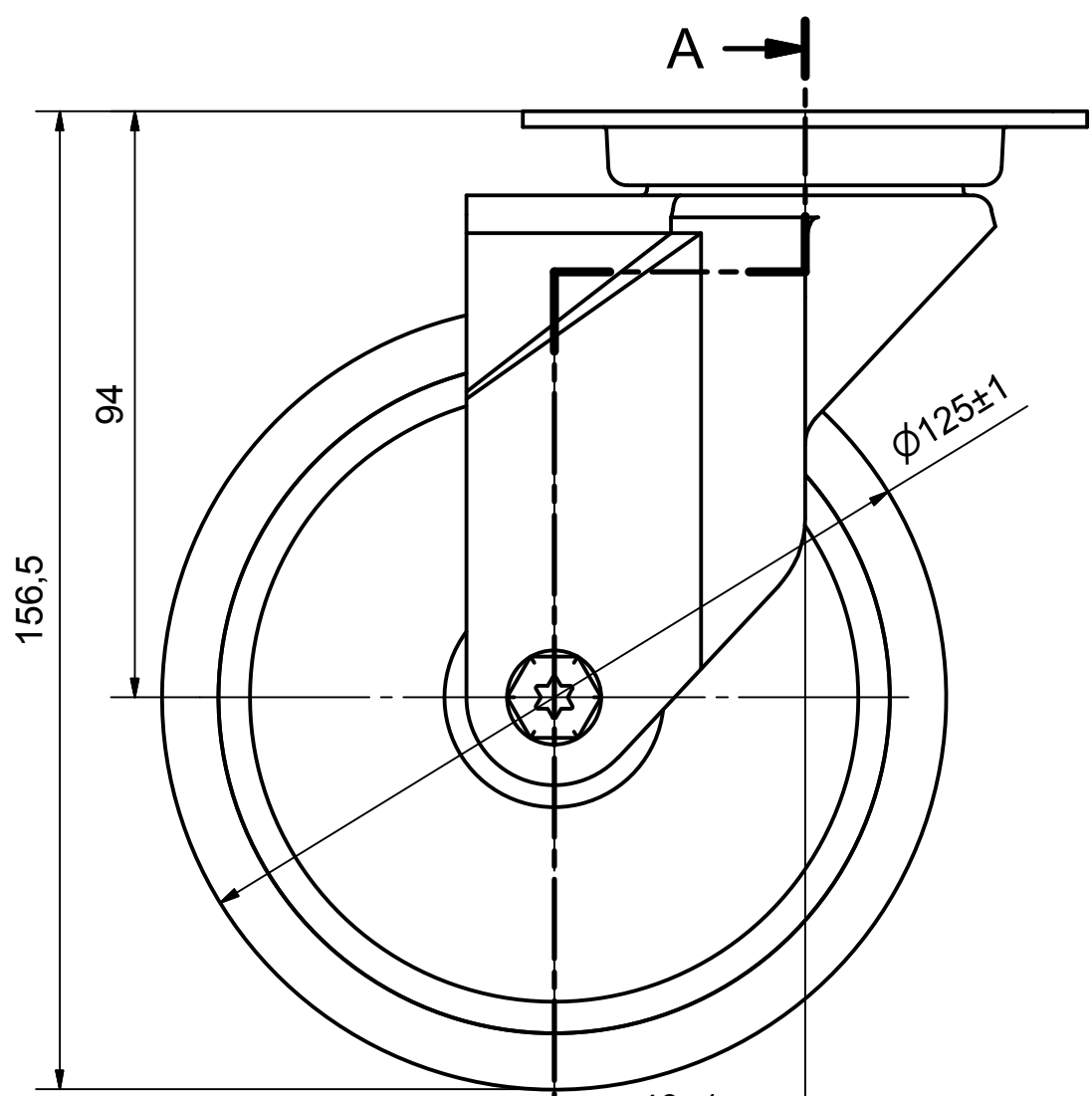
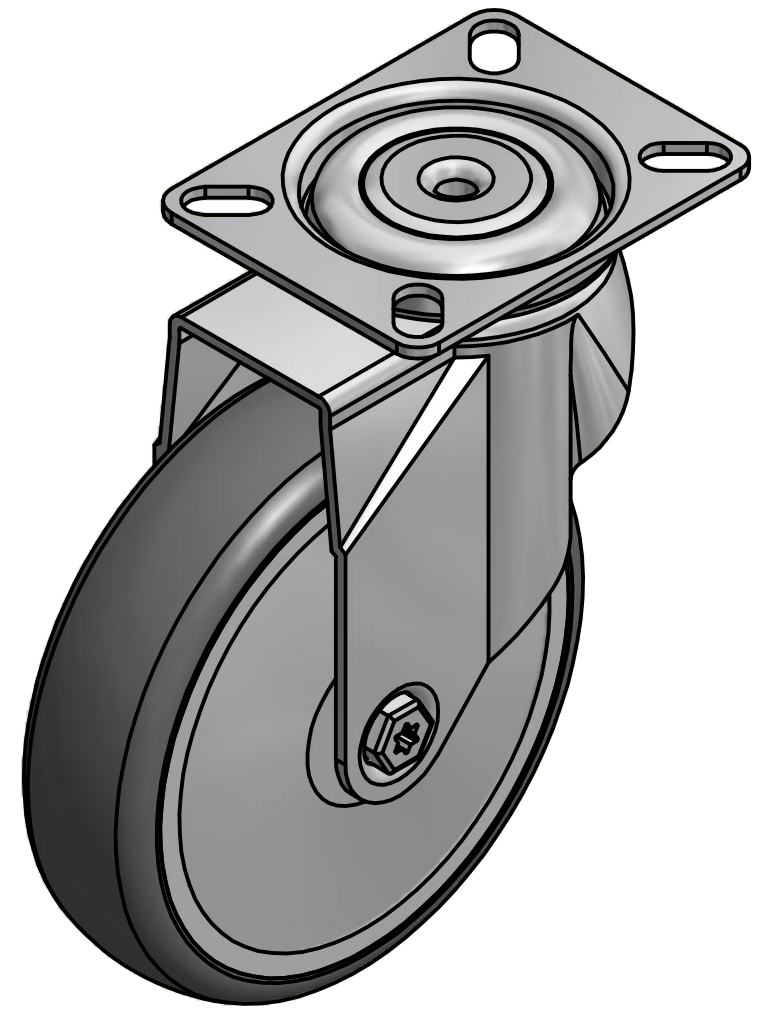
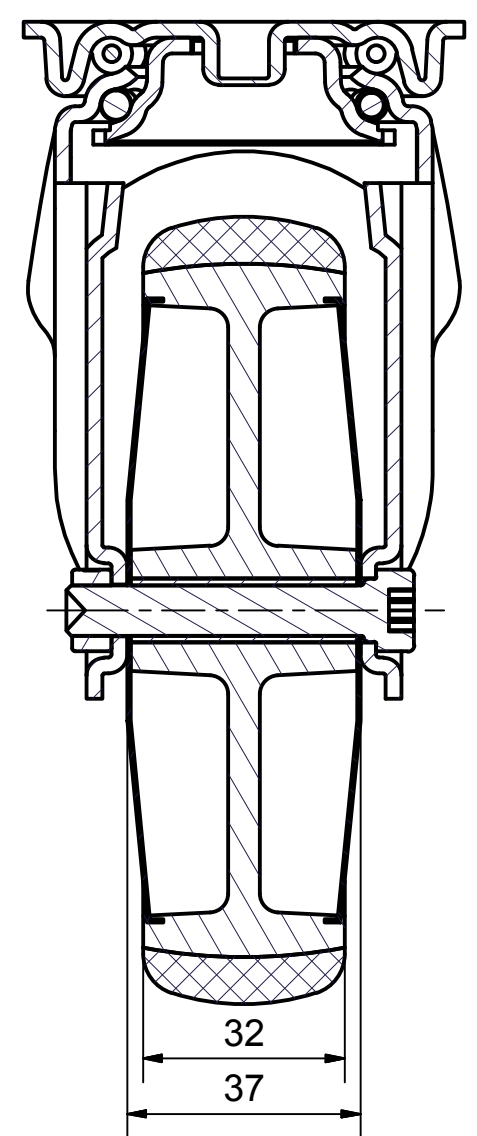


6 5 4 3 2 1

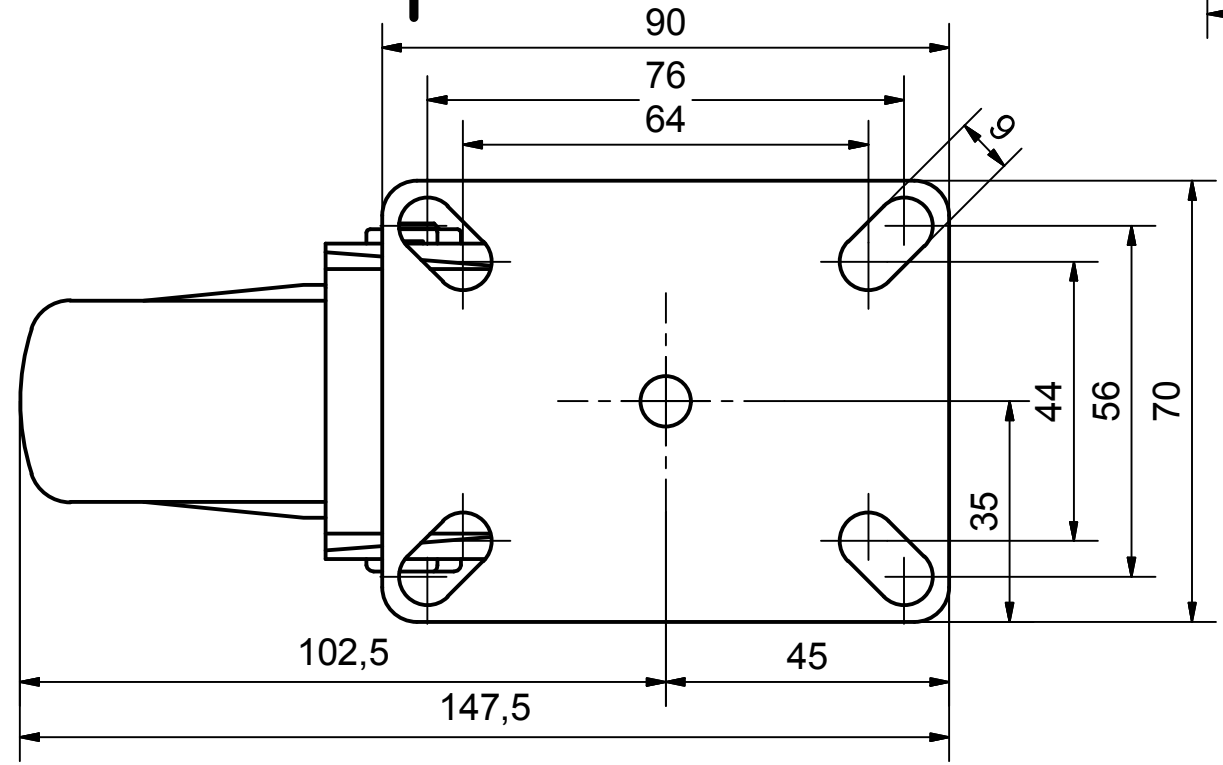
D
C
B
A




SECTION A-A'



**Load Capacity: 100kg, for speed up to 4km/h
(According to EN 12530)**



 PRODUCTION OF INSTITUTIONAL CASTORS AND WHEELS THESSALONIKI - GREECE	PERMIS. VARIATIONS:		PART No:	
	SURFACE FINISH :		UNF . DIM.:	
This drawing is the property of RODA S.A. It must neither be reproduced in any manner nor shall it be submitted to third parties or competitors without our written consent	DESIGNED	26/7/2013	E.POLIMEROPOULOU	PART NAME : SX.125.TPA.TSGX PART DESCRIPTION : Swivel castor, stainless support, top plate fitting.Wheel 125x32mm,non marking grey rubber (82shA) plain bearing,stainless thre
	DRAWN	26/7/2013	E.POLIMEROPOULOU	
	CHECKED	26/7/2013	H.SAATSOGLOU	
C3				DRAWING NUMBER :
B2				
A1				GEN. DWG. NUM. :
A/A				
QUANTITY		SCALE		
REPLACE :				

6 5 4 3 2 1