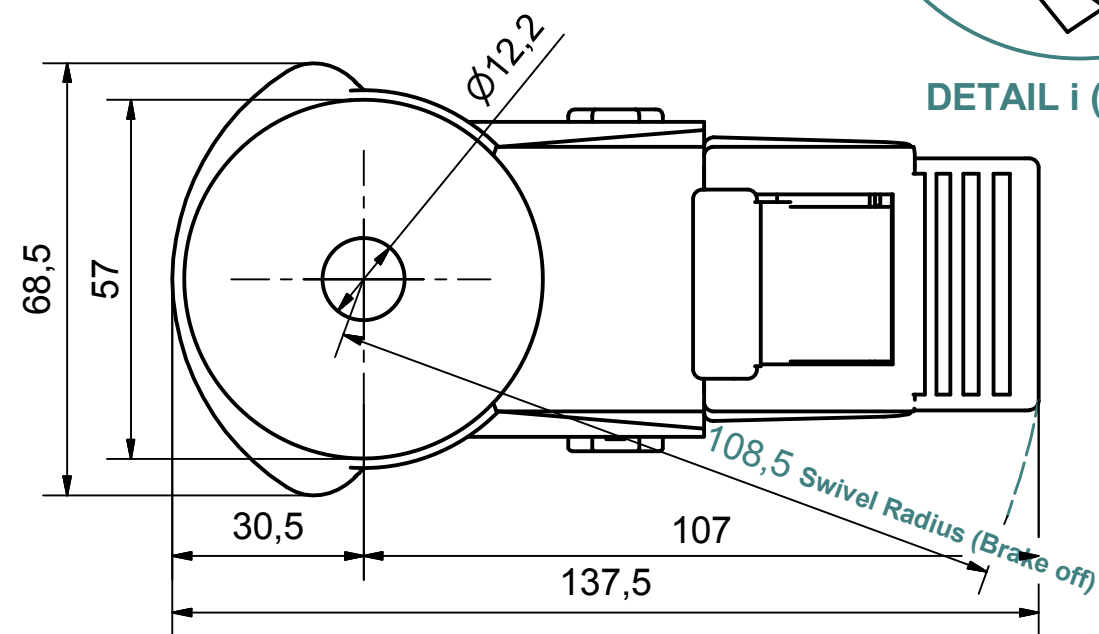



Load Capacity: 100kg, for speed up to 4km/h  
(According to EN 12530)



|   |                     |                       |   |
|---|---------------------|-----------------------|---|
| <br>PRODUCTION OF INSTITUTIONAL CASTORS AND WHEELS<br>THESSALONIKI - GREECE            | PERMIS. VARIATIONS: |                       | PART No:  |
|   | SURFACE FINISH:     |                       | UNF . DIM.:                                       |
| This drawing is the property of RODA S.A. It must neither be reproduced in any manner nor shall it be submitted to third parties or competitors without our written consent | DESIGNED            | 29/7/2013             | E.POLIMEROPOULOU                                  |
|   | DRAWN               | 29/7/2013             | E.POLIMEROPOULOU                                  |
|   | CHECKED             | 29/7/2013             | H.SAATSOGLOU                                      |
| PART DESCRIPTION :<br><b>Swivel+brake castor, stainless support, bolt hole fitting (12,2mm).Wheel 125x32mm,non marking grey rubber (82shA) single precis</b>                |                     |                       | <b>PART NAME :<br/>         SX.125.TPS.HSBKGP</b> |
| C3<br>B2<br>A1<br>A/A   |                     | QUANTITY<br>REPLACE : | DRAWING NUMBER :<br>SHEET No.                     |
|   |                     | SCALE                 | GEN. DWG. NUM. :                                  |