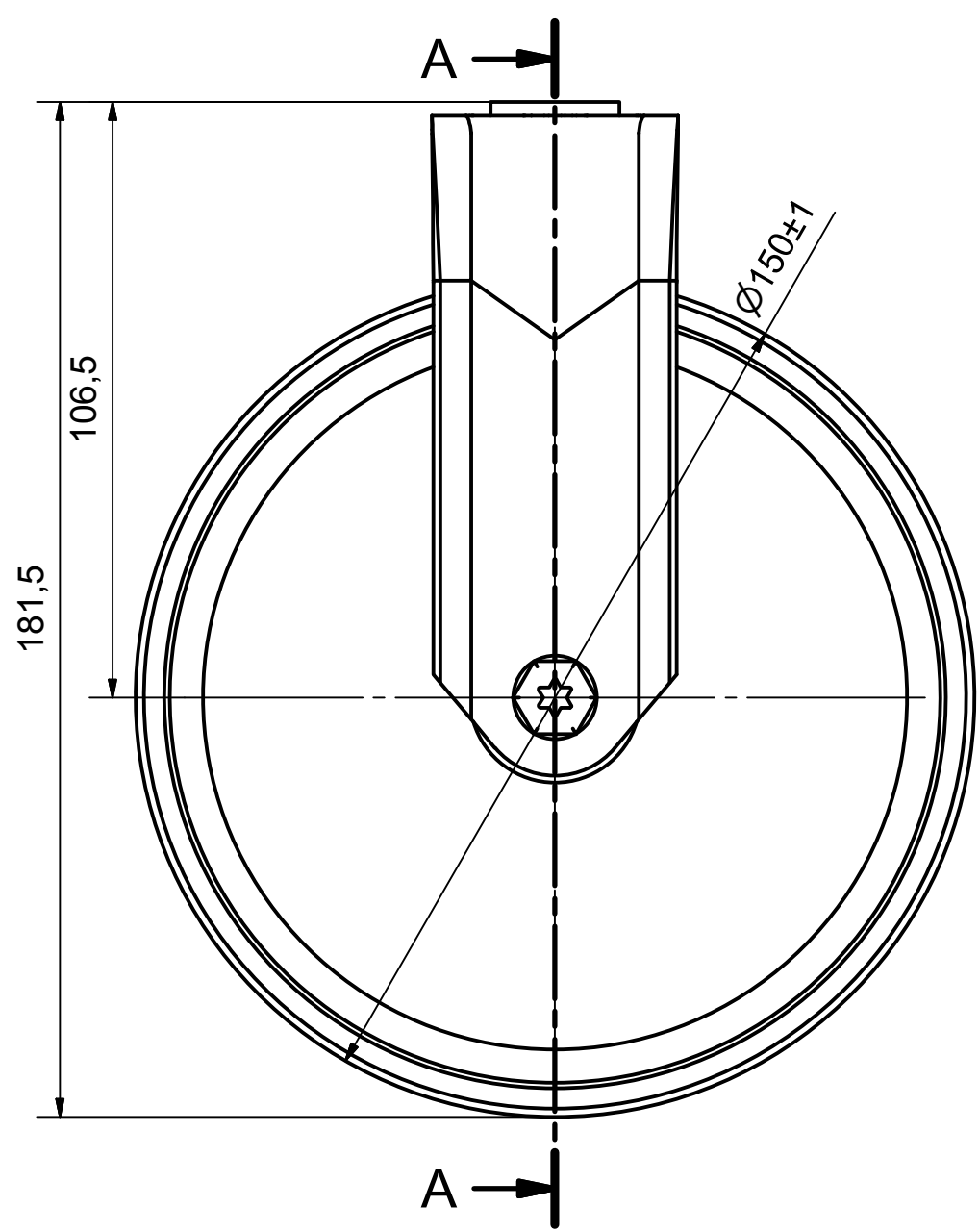
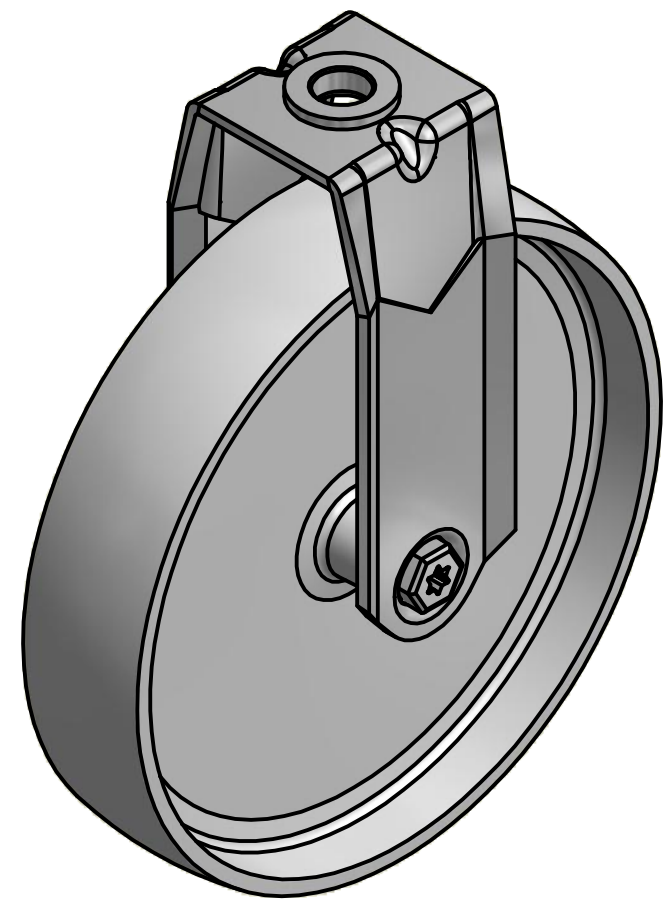
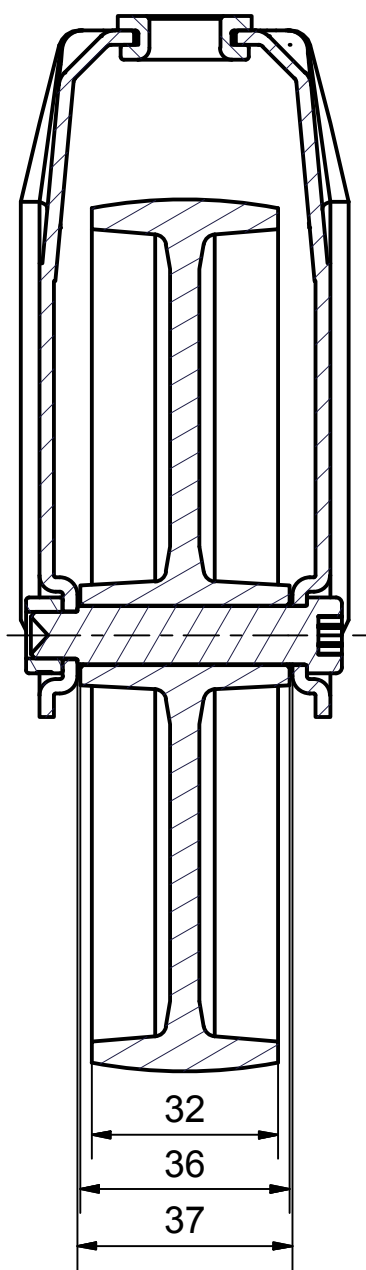


6 5 4 3 2 1

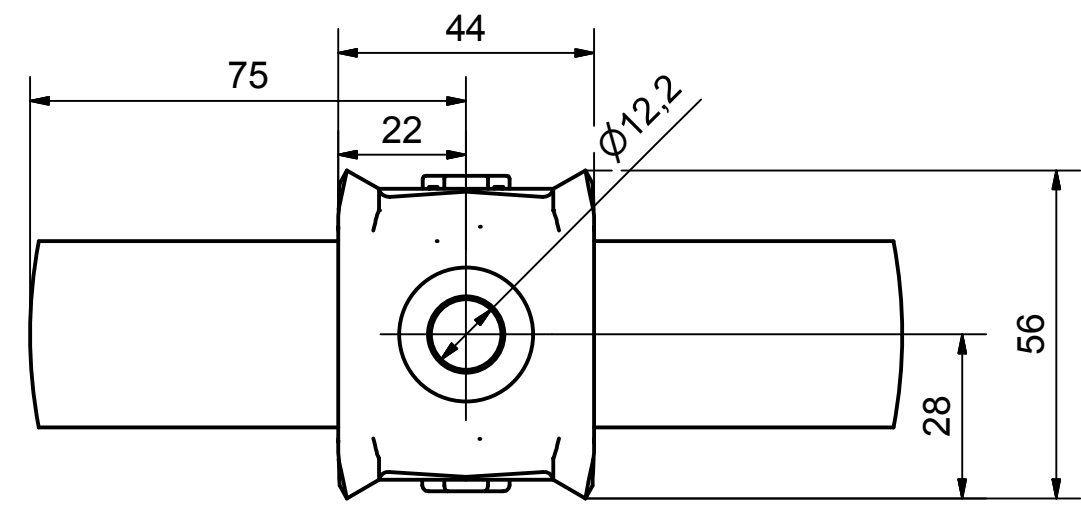
D  
C  
B  
A




SECTION A-A'



Load Capacity: 100kg, for speed up to 4km/h  
(According to EN 12530)



|   |                     |          |   |
|---|---------------------|----------|---|
| <br>PRODUCTION OF INSTITUTIONAL CASTORS AND WHEELS<br>THESSALONIKI - GREECE            | PERMIS. VARIATIONS: |          | PART No:  |
|   | SURFACE FINISH :    |          | UNF . DIM.:   |
| This drawing is the property of RODA S.A. It must neither be reproduced in any manner nor shall it be submitted to third parties or competitors without our written consent | DESIGNED            | 1/8/2013 | E.POLIMEROPOULOU  |
|   | DRAWN               | 1/8/2013 | E.POLIMEROPOULOU  |
|   | CHECKED             | 1/8/2013 | H.SAATSOGLOU  |
| PART NAME : <b>SX.150.NA.HF</b>   |                     |          | PART DESCRIPTION :<br><b>Fixed castor, stainless support, bolt hole fitting (12,2mm).Wheel 150x32mm,white polyamide plain bearing</b> |
| C3  |                     |          | DRAWING NUMBER :  |
| B2  |                     |          | SHEET No.   |
| A1  |                     |          | QUANTITY  |
| A/A   |                     |          | SCALE   |
| REPLACE :   |                     |          | GEN. DWG. NUM. :  |

6 5 4 3 2 1